

May 21, 2014

I would like to announce the scheduled discontinuation of the E5GN Temperature Controller.

When: **On or before March 31, 2015**

What: **All E5GN Temperature Controllers**

Special Note: The manufacturing factory can no longer buy the microprocessor for the E5GN Temp Controller. The Factory has estimated the quantity required for the next 10 months.

Once the Microprocessors are used in orders Omron will no longer be able to build the E5GN Temp Controller.

Suggested Replacement: **New E5GC**

Important - The E5GN microprocessor is no longer available and will shorten the discontinuation time when we can no longer manufacture the complete E5GN.



Ray Driver
Account Manager



E5GN to E5GC Conversion

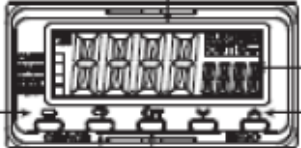

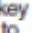
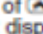
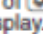


June 2014


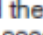
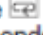
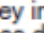
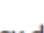
Operation

E5GC

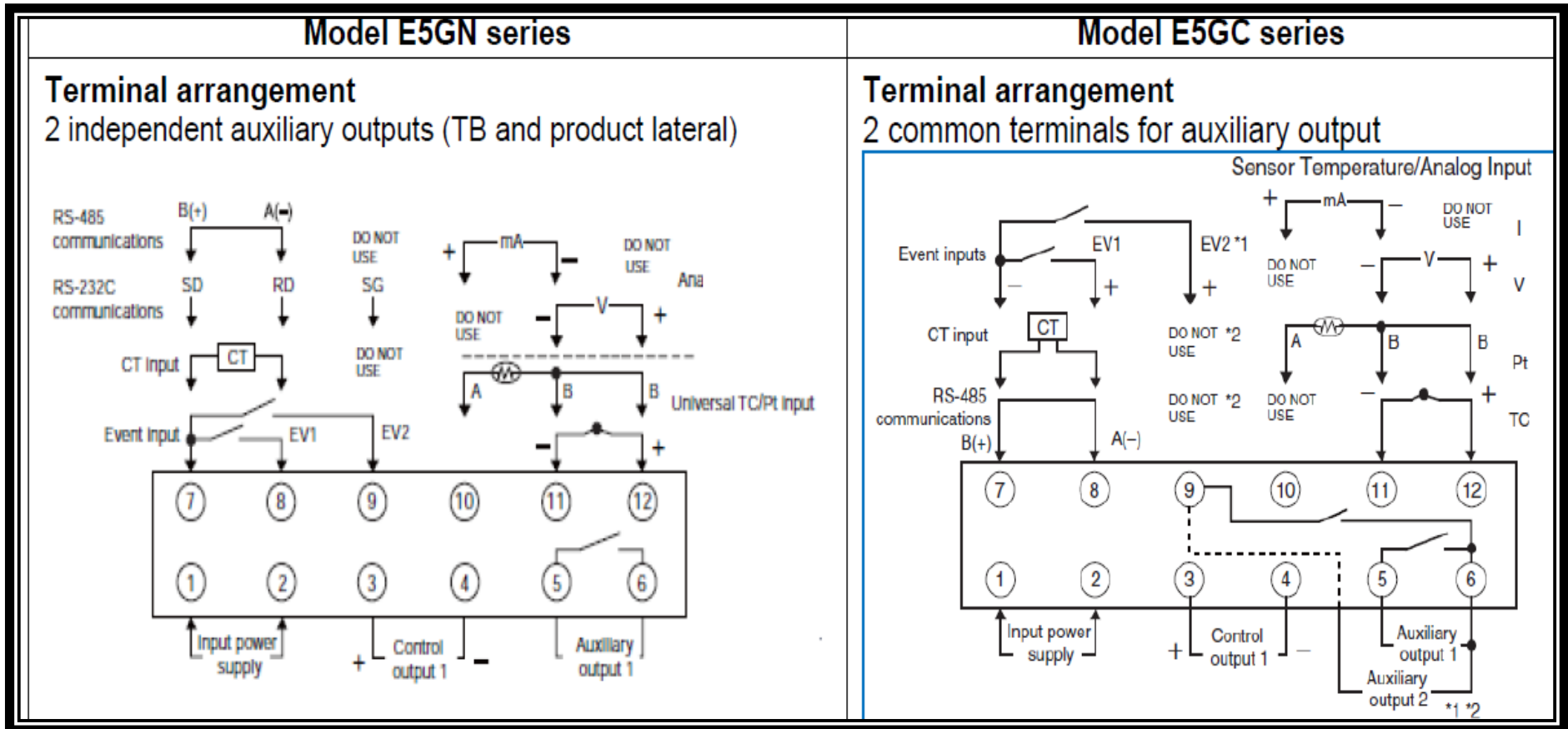
Compared with E5GN, shift key (PF key) is added for E5GC.
By making this shift key (PF key) disabled, the same key operations as E5GN become available.

- 
- No.1 display ———
Process value or set data symbol
 - Level key ———
Use this key to change levels:
 - Mode key ———
Press this key to change the contents of the display.
Press this key for 1 s or longer for reverse scroll.
 - Press the  key and the  key together for at least 3 seconds to switch to protect level.
 - No.2 display ———
Set point, set data read-out value or changed input value
 - Up and Down keys ———
Use the keys to change the values displayed on the No.2 display.
Each press of  key increments or advances the values displayed on the No.2 display.
Each press of  key decrements or returns the values displayed on the No.2 display.
 - Shift key (PF key) ———
The default PF Setting parameter is for shifting the digit.
This is a function key. When it is pressed, the function set for the PF Setting parameter will operate.

E5GN

- 
- No.1 display ———
Process value or set data symbol
 - Level key ———
Use this key to change levels:
 - Mode key ———
Press this key to change the contents of the display.
Press this key for 1 s or longer for reverse scroll.
 - Press the  key and the  key together for at least 3 seconds to switch to protect level.
 - No.2 display ———
Set point, set data read-out value or changed input value
 - Up and Down keys ———
Use the keys to change the values displayed on the No.2 display.
Each press of  key increments or advances the values displayed on the No.2 display.
Each press of  key decrements or returns the values displayed on the No.2 display.

Termination



Ratings

Item		Product discontinuation Model E5GN series	Recommended replacement Model E5GC series
Power consumption		AC100~240V:5.5VA(Max) AC/DC24V:3VA/2W(Max)	AC100~240V:5.9VA(Max) AC/DC24V:3.2VA/1.8W(Max)
Input impedance		Current input 150Ω max / Voltage input 1MΩ max	Current input 150Ω max / Voltage input 1MΩ max(No change)
Control output	Relay output	1a AC250V 2A(resistive load) Electrical life 100,000 operations Min. applicable load 5V 10mA (reference)	1a AC250V 2A(resistive load) Electrical life 100,000 operations Min. applicable load 5V 10mA (reference)(No change)
	Voltage output (for driving SSR)	Output voltage DC12V±15% (PNP) Max. load current 21mA, with short-circuit protection circuit	Output voltage DC12V±20% (PNP) Max. load current 21mA, with short-circuit protection circuit
	Current output	DC4~20mA/DC0~20mA / Load:600Ω max / Resolution Approx. 10,000	DC4~20mA/DC0~20mA / Load :500Ω max / Resolution Approx. 10,000
Indication method		11 segment digital display and single-lighting indicator(7 segment also available) / Character height : PV:7.5mm, SV:3.6mm	11 segment digital display and single-lighting indicator(7 segment also available) / Character height : PV:10.5mm, SV:5mm
Multi-SP function		Max.4 set points(SP0~SP3) can be stored and selectable by using event inputs, key operations or serial communications.	Max 8 set points (SP0~SP7) can be stored and selectable by using event inputs, key operations or serial communications.
Other functions (change points)			<p>Functions to be deleted : heater overcurrent (OC) functions Control output ON/OFF count monitor Color change function / Character select</p> <p>Functions to be added : Moving average of input / Luminance display setup / Work bit message/ Parameter changes / Digit shifting</p>

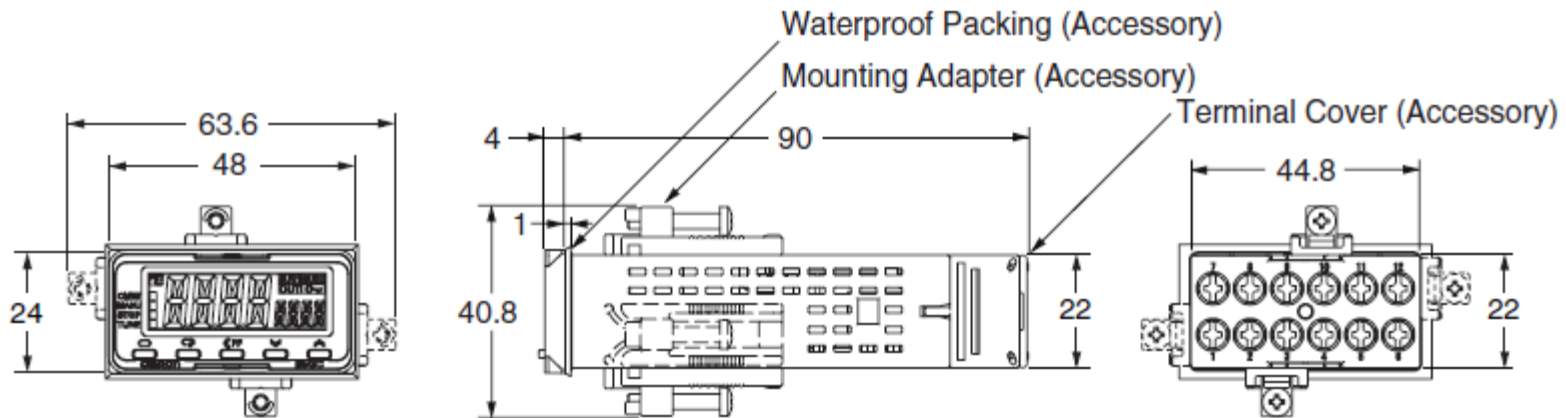
Characteristics

Item		Product discontinuation Model E5GN series	Recommended replacement Model E5GC series
Input sampling cycle		250ms	50ms
Integral time (I)		0~3999s (1s digit)	0~9999s (1s digit) , 0.0~999.9s (0.1s digit)
Derivative time (D)		0~3999s (1s digit)	0~9999s (1s digit) , 0.0~999.9s (0.1s digit)
Control cycle		0.5, 1~99s (1s digit)	0.1, 0.2, 0.5, 1~99s (1s digit)
Withstand voltage		AC2,300V 50 or 60Hz 1min (terminal of opposite polarity)	For AC100V~240V : AC3,000V 50 or 60Hz 1min (terminal of opposite polarity) For AC/DC24V:AC2300V 50 or 60Hz 1min(terminal of opposite polarity)
Weight		Body : approx.90g Adaptor : approx.10g	Body : approx.80g Adaptor : approx.4g×2
Setup tool		CX-Thermo Ver.4.2 or higher	CX-Thermo Ver.4.62 or higher
Setup tool port		E5GN lateral port: by using USB-serial conversion cable E58-CIFQ1, connect USB port on computer and the port on lateral side of E5GN.	E5GC lateral port: by using USB-serial conversion cable E58-CIFQ2, connect USB port on computer and the port on lateral side of E5GC. E5GC underside port: by using USB-serial conversion cable E58-CIFQ2 and conversion cable E58-CIFQ2-E, connect USB port on PC and the port on underside of E5GC.
Standards	Certifications	cULus UL61010-1 2nd edition (CSA C22.2 No.61010-1 2nd edition evaluated by UL)	cULus UL61010-1 3rd edition (CSA C22.2 No.61010-1 3rd edition evaluated by UL) Korean Radio Waves Act (Act 10564)

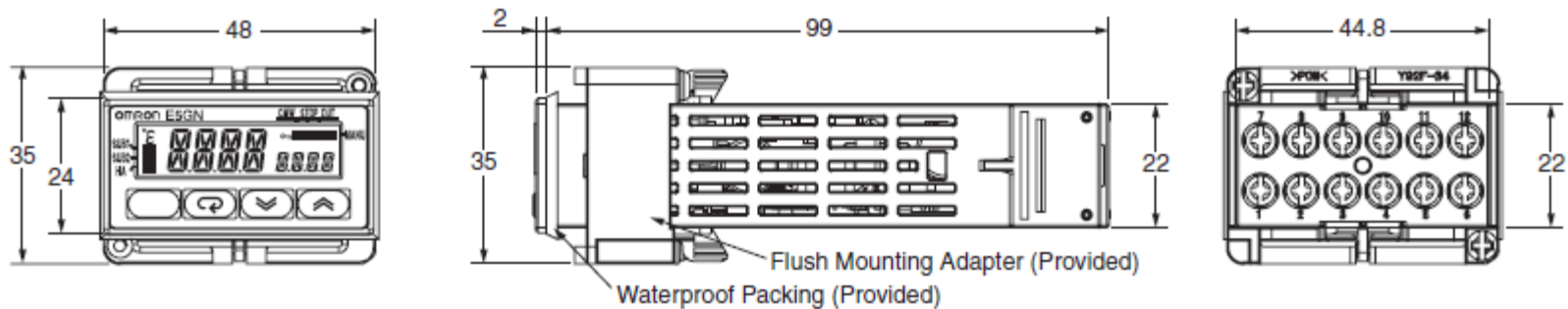
Dimensions

E5GC Screw Clamp Termination

E5GC is 9 mm shorter than E5GN



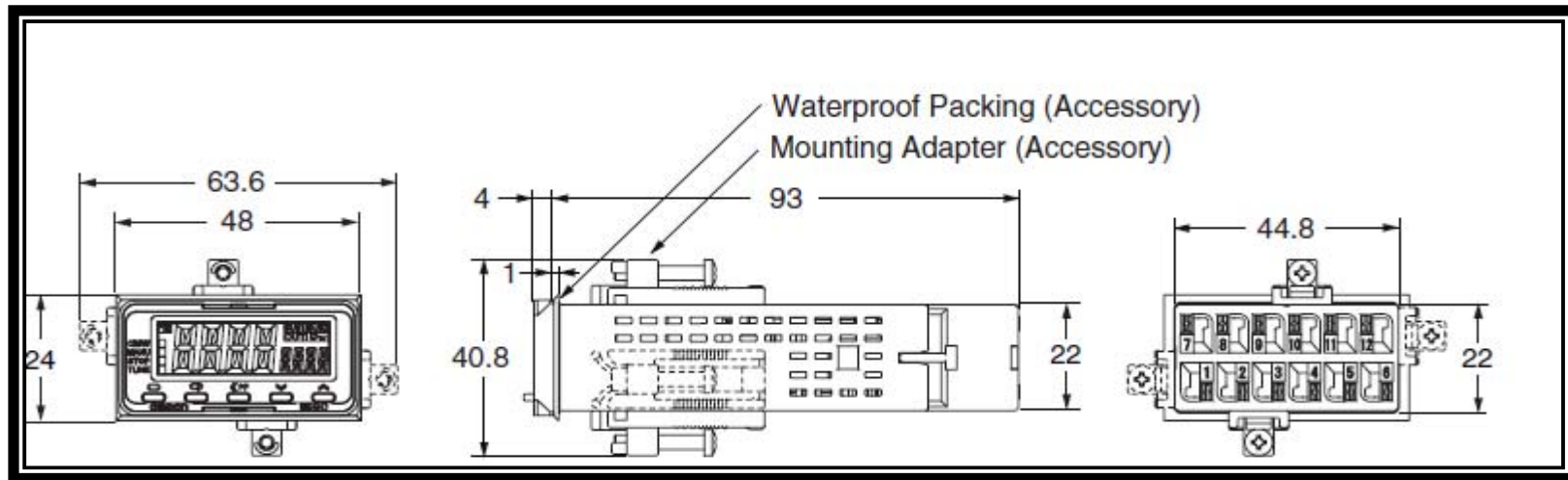
E5GN Screw Clamp Termination



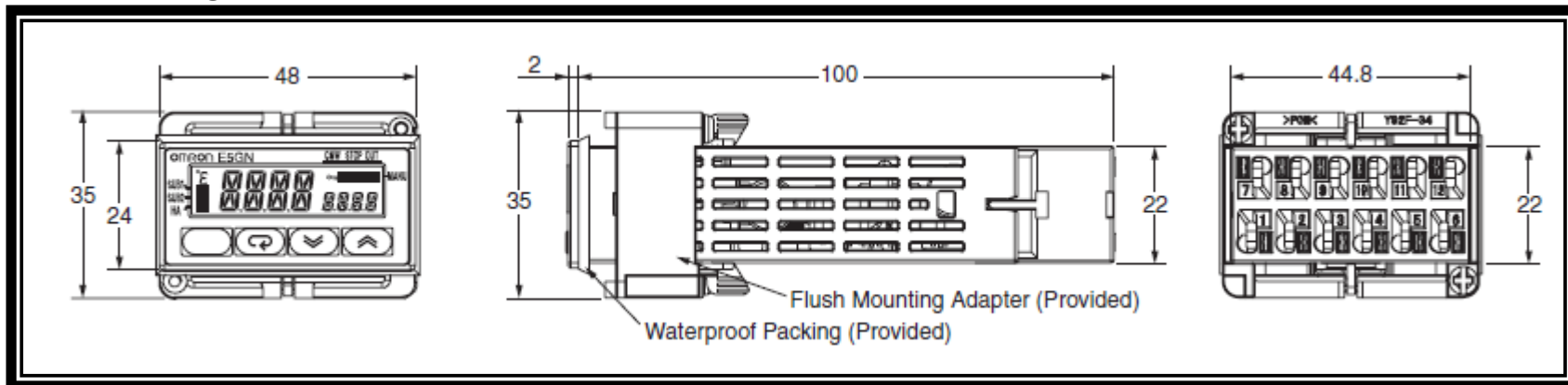
Dimensions

E5GC Spring Clamp Termination

E5GC is 7 mm shorter than E5GN




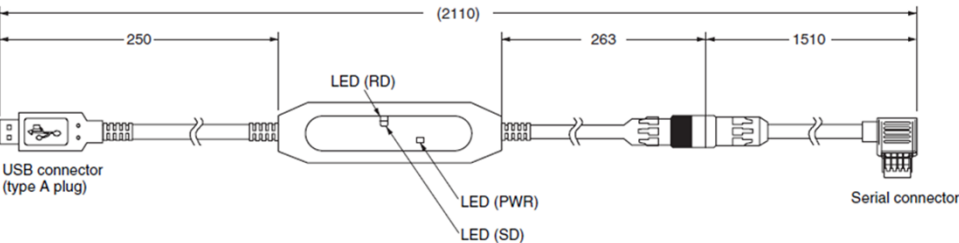
E5GN Spring Clamp Termination



Communication Cables

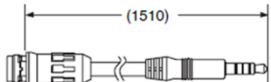
E5GC (can only be used with E5GC controller)

● **USB-Serial Conversion Cable**
E58-CIFQ2

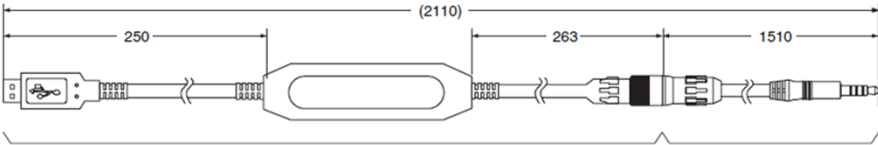



● **Conversion Cable**
E58-CIFQ2-E

Conversion Cable



Connecting to the E58-CIFQ2 USB-Serial Conversion Cable


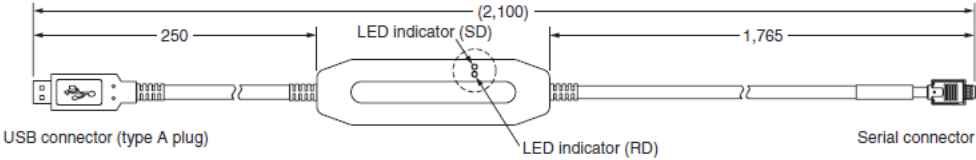


Note: Always use this product together with the E58-CIFQ2.

E58-CIFQ2 (Order separately) Conversion Cable

E5GN (can only be used with E5GN controller)

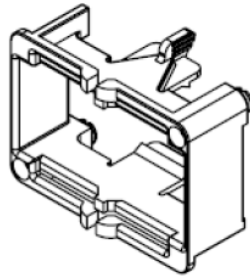
USB-Serial Conversion Cable
E58-CIFQ1

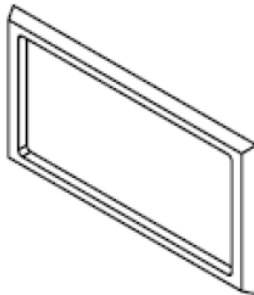
Accessories

E5GN

Mounting adapter



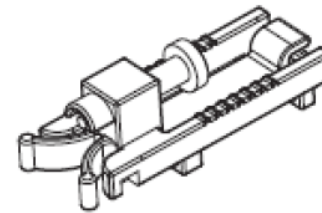
Waterproof packing



E5GC

Mounting adapter

2 mounting adapters are used for E5GC.
(vertical or horizontal direction)
Mounting adapter for E5GN can not be used.



Waterproof packing

When using E5GC, be sure to use accessory
waterproof packing for E5GC.



Communication

Item	Product discontinuation Model E5GN series	Recommended replacement Model E5GC series
Connection of transmission path	RS-485 : Multiple point RS-232C : Point to point	RS-485 : Multiple point
Communication method	RS-485 (2-wire, half duplex), RS-232C	RS-485 (2-wire, half duplex)
Protocol	CompoWay/F, Sysway, Modbus	CompoWay/F, Modbus
DTE speed	1200, 2400, 4800, 9600, 19200, 38400, 57600bps	9600, 19200, 38400, 57600bps
Error detection	Vertical parity(non, even, or odd) FCS(frame check sequence) During Sysway communications BCC (block check character) During CompoWay/F communications During CRC-16 Modbus communications	Vertical parity(non, even, or odd) BCC (block check character) During CompoWay/F communications During CRC-16 Modbus communications
Interface	RS-485, RS-232C	RS-485

Part Number Cross Reference

E5GN Series

E5GC Series

E5GN-C1L-C	E5GC-CX1ACM-000
E5GN-C1T-C	
E5GN-C103T-C-FLK	E5GC-CX1ACM-015
E5GN-C1BT-C	E5GC-CX1ACM-024
E5GN-C1L	E5GC-CX1A6M-000
E5GN-C1T	
E5GN-C103T-FLK	E5GC-CX1A6M-015
E5GN-C1BT	E5GC-CX1A6M-024

Part Number Cross Reference

E5GN Series

E5GC Series

E5GN-C1LD-C	E5GC-CX1DCM-000
E5GN-C1TD-C	
E5GN-C103TD-C-FLK	E5GC-CX1DCM-015
E5GN-C1BTD-C	E5GC-CX1DCM-024
E5GN-C1LD	
E5GN-C1TD	E5GC-CX1D6M-000
E5GN-C103TD-FLK	E5GC-CX1D6M-015
E5GN-C1BTD	E5GC-CX1D6M-024
E5GN-QT-C	E5GC-QX0ACM-000
E5GN-QT	E5GC-QX0A6M-000
E5GN-QTD-C	E5GC-QX0DCM-000
E5GN-QTD	E5GC-QX0D6M-000
E5GN-Q1T-C	E5GC-QX1ACM-000
E5GN-Q103T-C-FLK	E5GC-QX1ACM-015
E5GN-Q1BT-C	E5GC-QX1ACM-024
E5GN-Q1T	E5GC-QX1A6M-000
E5GN-Q103L-FLK	
E5GN-Q103T-FLK	E5GC-QX1A6M-015
E5GN-Q1BT	E5GC-QX1A6M-024
E5GN-Q1TD-C	E5GC-QX1DCM-000
E5GN-Q103TD-C-FLK	E5GC-QX1DCM-015
E5GN-Q1BTD-C	E5GC-QX1DCM-024
E5GN-Q1TD	E5GC-QX1D6M-000
E5GN-Q103LD-FLK	
E5GN-Q103TD-FLK	E5GC-QX1D6M-015
E5GN-Q1BTD	E5GC-QX1D6M-024

Part Number Cross Reference

E5GN Series

E5GC Series

E5GN-Q2T-C	E5GC-QX2ACM-000
E5GN-Q203T-C-FLK	E5GC-QX2ACM-015
E5GN-Q2HT-C	E5GC-QX2ACM-023
E5GN-Q2BT-C	E5GC-QX1ACM-024(in a case of 1 auxiliary output)
	E5GC-QX2ACM-016 (in a case of 1 event input)
E5GN-Q2T	E5GC-QX2A6M-000
E5GN-Q203T-FLK	E5GC-QX2A6M-015
E5GN-Q2HT	E5GC-QX2A6M-023
E5GN-Q2BT	E5GC-QX1A6M-024(in a case of 1 auxiliary output)
	E5GC-QX2A6M-016(in a case of 1 event input)
E5GN-Q2TD-C	E5GC-QX2DCM-000
E5GN-Q203TD-C-FLK	E5GC-QX2DCM-015
E5GN-Q2HTD-C	E5GC-QX2DCM-023
E5GN-Q2BTD-C	E5GC-QX1DCM-024(in a case of 1 auxiliary output)
	E5GC-QX2DCM-016(in a case of 1 event input)
E5GN-Q2TD	E5GC-QX2D6M-000
E5GN-Q203TD-FLK	E5GC-QX2D6M-015
E5GN-Q2HTD	E5GC-QX2D6M-023
E5GN-Q2BTD	E5GC-QX1D6M-024(in a case of 1 auxiliary output)
	E5GC-QX2D6M-016(in a case of 1 event input)
E5GN-RT-C	E5GC-RX0ACM-000
E5GN-RT	E5GC-RX0A6M-000
E5GN-RTD-C	E5GC-RX0DCM-000
E5GN-RTD	E5GC-RX0D6M-000

Part Number Cross Reference

E5GN Series

E5GC Series

E5GN-R1T-C	E5GC-RX1ACM-000
E5GN-R103T-C-FLK	E5GC-RX1ACM-015
E5GN-R1BT-C	E5GC-RX1ACM-024
E5GN-R1T	E5GC-RX1A6M-000
E5GN-R103L-FLK	E5GC-RX1A6M-015
E5GN-R103T-FLK	
E5GN-R1BT	E5GC-RX1A6M-024
E5GN-R1TD-C	E5GC-RX1DCM-000
E5GN-R103TD-C-FLK	E5GC-RX1DCM-015
E5GN-R1BTD-C	E5GC-RX1DCM-024
E5GN-R1TD	E5GC-RX1D6M-000
E5GN-R103LD-FLK	E5GC-RX1D6M-015
E5GN-R103TD-FLK	
E5GN-R1BTD	E5GC-RX1D6M-024
E5GN-R2T-C	E5GC-RX2ACM-000
E5GN-R203T-C-FLK	E5GC-RX2ACM-015
E5GN-R2HT-C	E5GC-RX2ACM-023
E5GN-R2BT-C	E5GC-RX1ACM-024(in a case of 1 auxiliary output)
	E5GC-RX2ACM-016(in a case of 1 event input)
E5GN-R2T	E5GC-RX2A6M-000
E5GN-R203T-FLK	E5GC-RX2A6M-015
E5GN-R2HT	E5GC-RX2A6M-023

Part Number Cross Reference

E5GN Series

E5GC Series

E5GN-R2BT-C	E5GC-RX1ACM-024(in a case of 1 auxiliary output) E5GC-RX2ACM-016(in a case of 1 event input)
E5GN-R2T	E5GC-RX2A6M-000
E5GN-R203T-FLK	E5GC-RX2A6M-015
E5GN-R2HT	E5GC-RX2A6M-023
E5GN-R2BT	E5GC-RX1A6M-024(in a case of 1 auxiliary output) E5GC-RX2A6M-016(in a case of 1 event input)
E5GN-R2TD-C	E5GC-RX2DCM-000
E5GN-R203TD-C-FLK	E5GC-RX2DCM-015
E5GN-R2HTD-C	E5GC-RX2DCM-023
E5GN-R2BTD-C	E5GC-RX1DCM-024(in a case of 1 auxiliary output) E5GC-RX2DCM-016(in a case of 1 event input)
E5GN-R2TD	E5GC-RX2D6M-000
E5GN-R203TD-FLK	E5GC-RX2D6M-015
E5GN-R2HTD	E5GC-RX2D6M-023
E5GN-R2BTD	E5GC-RX1D6M-024(in a case of 1 auxiliary output) E5GC-RX2D6M-016(in a case of 1 event input)
E5GN-C101T-C-FLK	Use E5GC-CX1ACM-015 connected with interface converter model K3SC.
E5GN-C101TD-C-FLK	
E5GN-C101TD-FLK	Use E5GC-CX1A6M-015 connected with interface converter model K3SC.
E5GN-C101T-FLK	
E5GN-Q101T-C-FLK	Use E5GC-QX1ACM-015 connected with interface converter model K3SC.
E5GN-Q101TD-C-FLK	
E5GN-Q101TD-FLK	Use E5GC-QX1A6M-015 connected with interface converter model K3SC.
E5GN-Q101T-FLK	
E5GN-R101T-C-FLK	Use E5GC-RX1ACM-015 connected with interface converter model K3SC
E5GN-R101TD-C-FLK	
E5GN-R101TD-FLK	Use E5GC-RX1A6M-015 connected with interface converter model K3SC.
E5GN-R101T-FLK	

Questions

